

GXL-GH02F-120 Glass Door Gravity Hinge (Adjustable)

Features

- Stainless steel construction suitable for shower doors
- Glass hinge with self-closing features
- Self-close range can be changed and door will close automatically at opening angle 20° or 70°
- Door moves up max. 1.5 mm at opening angle 20° or max. 5 mm at 70°

Material

- Stainless steel 304, mirror finish

Notes

- Sold in pairs

Parts Included

- Hexagon socket countersunk head screw M6×14 (SUS)
- Screw M5×16 (SUS)

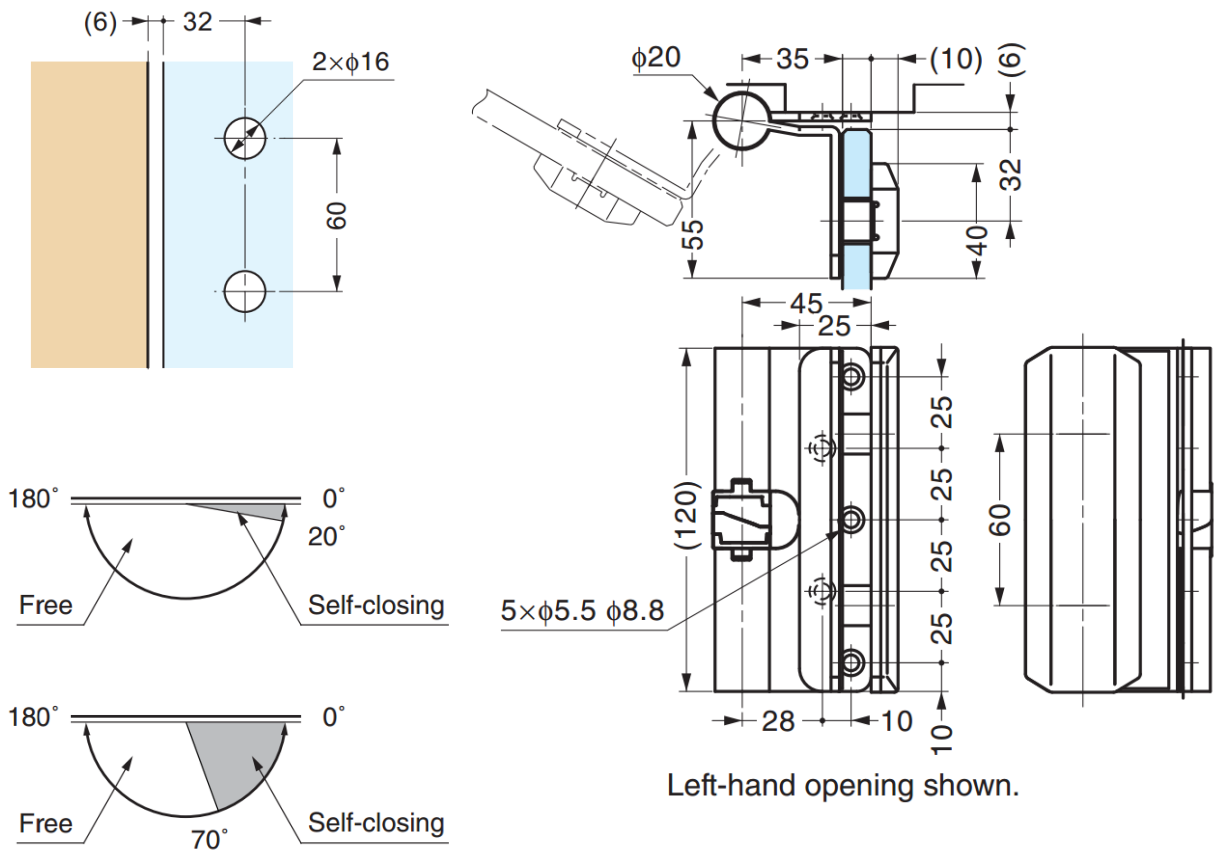
Back Side View



GXL-GH02F-120L



GXL-GH02F-120R



Part No.	Type	Door Width	Door Height	Glass Thickness	Door Weight
GXL-GH02F-120R	Right	Max. 750	Max. 2000	10, 12	Max. 45 kg / pair
GXL-GH02F-120L	Left				